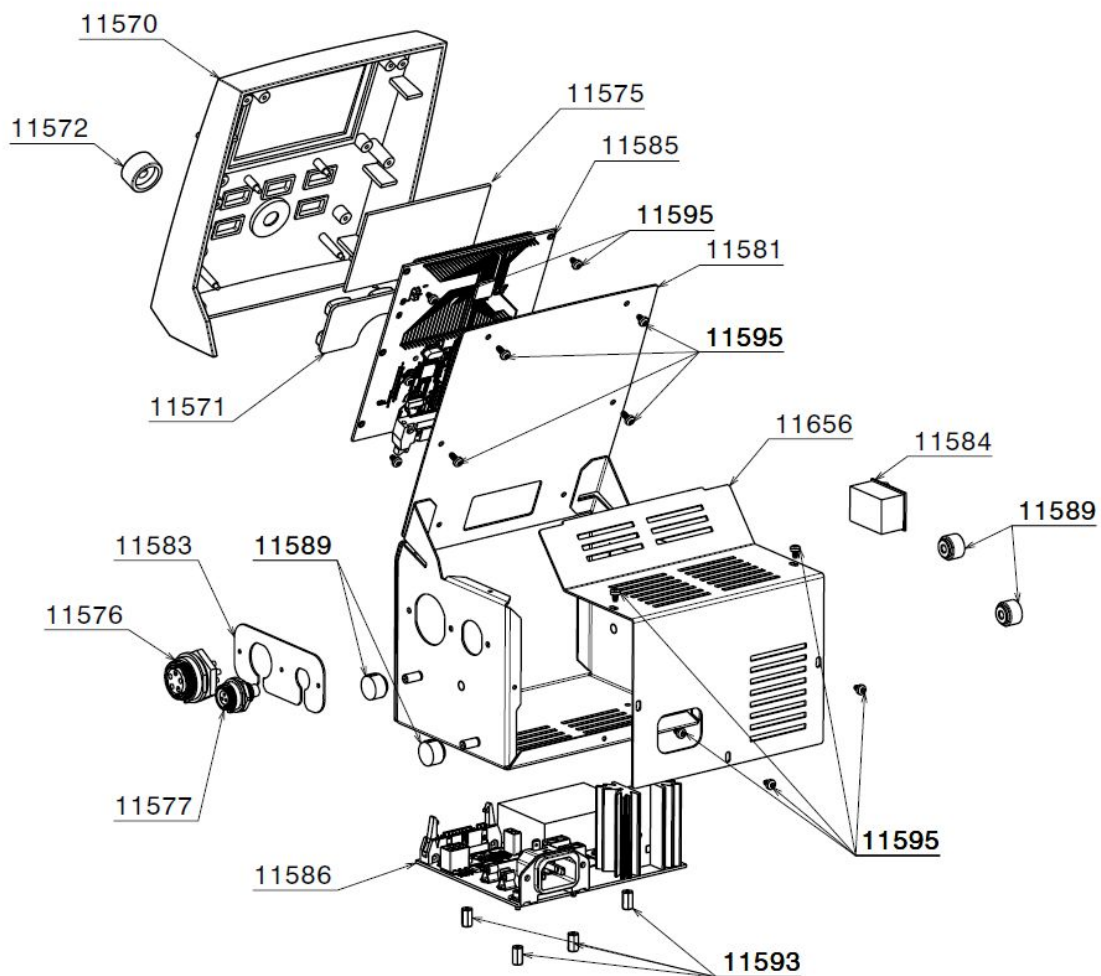


Exploded drawings, circuit layouts and part lists for TCC SMART

Exploded drawing for HPC01 heat press controller built in TCC SMART

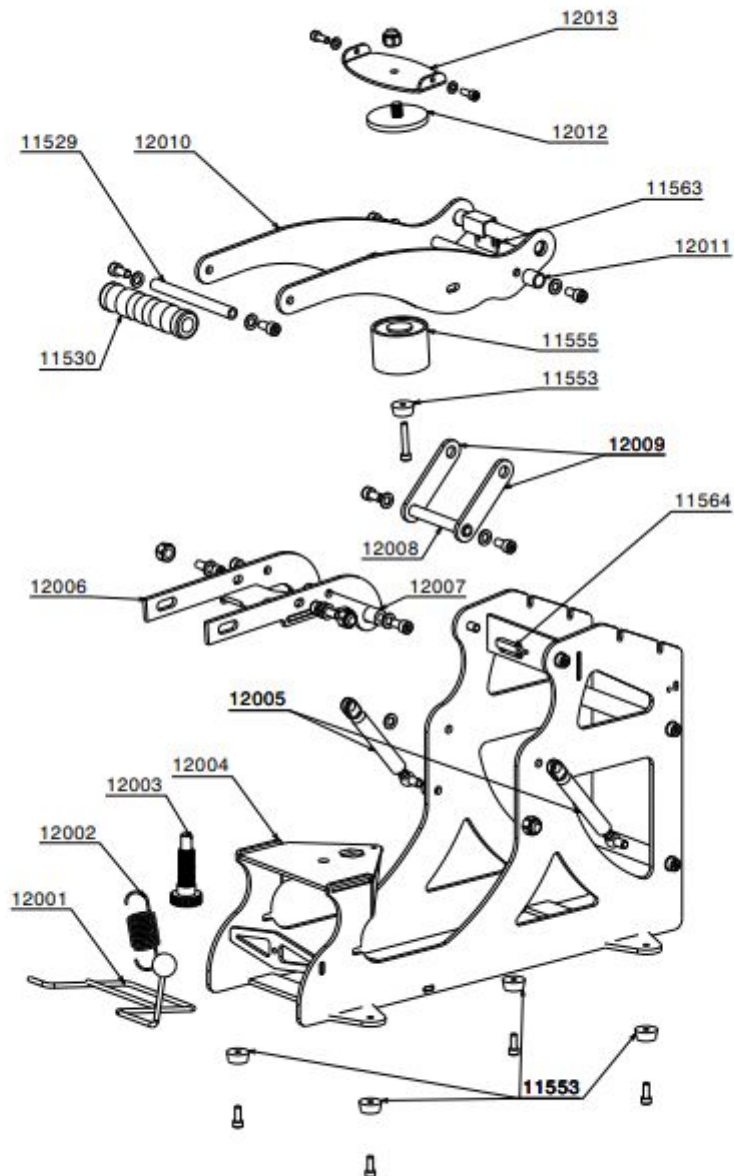


Part Number	Description
11570	Frontcover - HPC01
11572	Turning Knob - HPC01



11575	Display Cover - HPC01
11585	Controller - HPC01
11595	Screw DIN EN ISO 14585 2,9 x 4,5
11581	Housing - HPC01
11571	Control Panel - HPC01
11656	Backcover - HPC01
11584	Main Switch - HPC01
11589	Knurled Nut M5 - HPC01
11583	Socket Sheet - HPC01
11576	Socket Heatplate - HPC01
11577	Socket Release System - HPC01
11586	Powerboard - HPC01 large heatsink for 110V version
11593	Long Nut M3 x 10

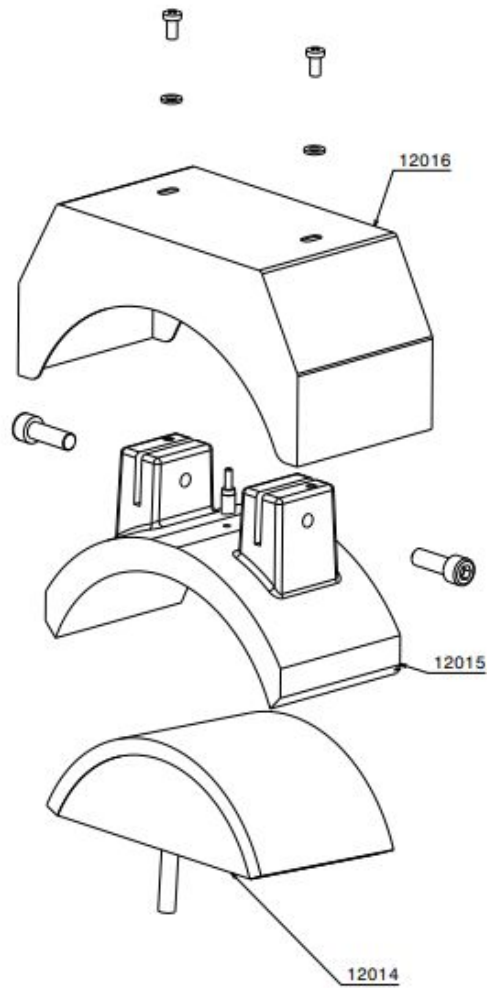
Exploded drawing for TCC SMART Base





Part Number	Description
11529	Bolt Handle - TC SMART
11530	Foam Handle - TC SMART
11564	Reed Sensor
12001	Cap holder
12002	Cap holder spring
12003	Pressure adj screw
12004	TCC BASE FRAME
11563	Counterpart Reed Sensor - TC SMART
12005	TCC GAS SPRING
12006	HP_Lever
12007	Sleeve
12008	Sleeve
12009	lever link
12010	Handle Lever
12011	Sleeve
12012	magnet plate
12013	magnet plate holder
11555	Electromagnet - TC SMART
11553	Rubber Feet - TC SMART

Exploded drawing for Heating Element TCC SMART



Part Number	Description
12014	TCC lower plate
12015	TCC heating element
12016	TCC heating element housing

Circuit layout HPC01

